



Installation

Model specific instructions

For:

- **Ducati SuperSport SS 620**
- **Ducati SuperSport SS 800**
- **Ducati SuperSport SS 1000**
- **Ducati SuperSport SS 1000 DS**
- **Ducati SuperSport (2017—2020)**

These instructions are a model specific add-on to the general BoosterPlug installation instructions.

The general BoosterPlug installation instructions can be found in the "Downloads" section on the BoosterPlug.com website:

<http://www.boosterplug.com/shop/cms-downloads.html>

Installation Tips

- Install the BoosterPlug module as per the general installation papers.
- The pictures below should help you locate the AIT sensor where the BoosterPlug is installed.
 - On the SS 620, 800 and 1000 models, The AIT sensor is located inside the fairing, behind the head light.
 - The external sensor on the BoosterPlug is already in the right spot, so just secure it with a zip-tie so it's not flopping around.
 - On the newer SuperSport from 2017 to 2020, The AIT sensor is located in the top of the air filter box.
 - You have several choices for the BoosterPlug sensor location, but our favorite place is near the steering head or under the head light. Just stick to the simple rules in the general installation instructions for placing the external sensor, and you'll be fine.

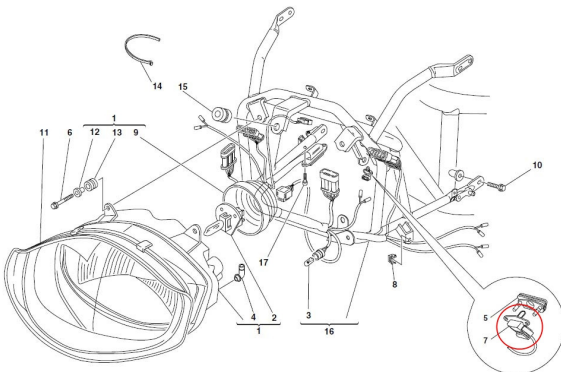
Pictures

For:

- **Ducati SuperSport SS 620**
- **Ducati SuperSport SS 800**
- **Ducati SuperSport SS 1000**
- **Ducati SuperSport SS 1000 DS**

SUPERSPORT 1000 L.E. DUCATI

022 HEAD-LIGHT AND ELECTRIC WIRING



For:

- **Ducati SuperSport (2017—2020)**

